

autonomous robots

TOW TRACTOR AGV

COST-EFFECTIVE
INDUSTRIAL TECHNOLOGY

Excellent flexibility and accuracy. Reduce labor and increase efficiency with AMS Autonomous Technology. Capable of completing complex tasks.



AMS

ams-fa.com
ams@ams-fa.com
619.661.5985
10030 Via de la Amistad, San Diego, CA 92154

GET IN TOUCH!



ADVANCED
MECHATRONICS
SOLUTIONS, INC

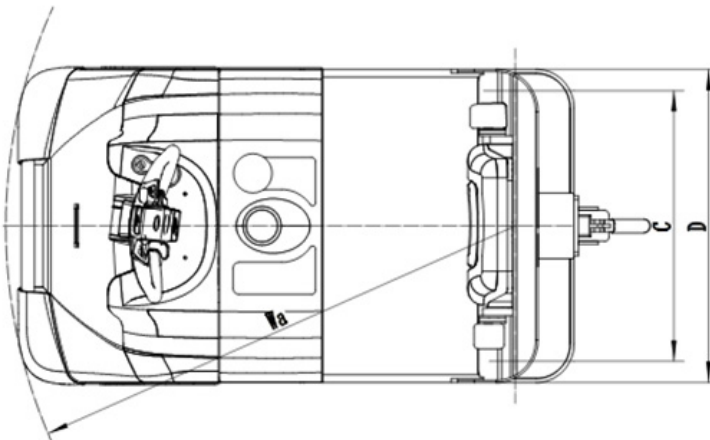
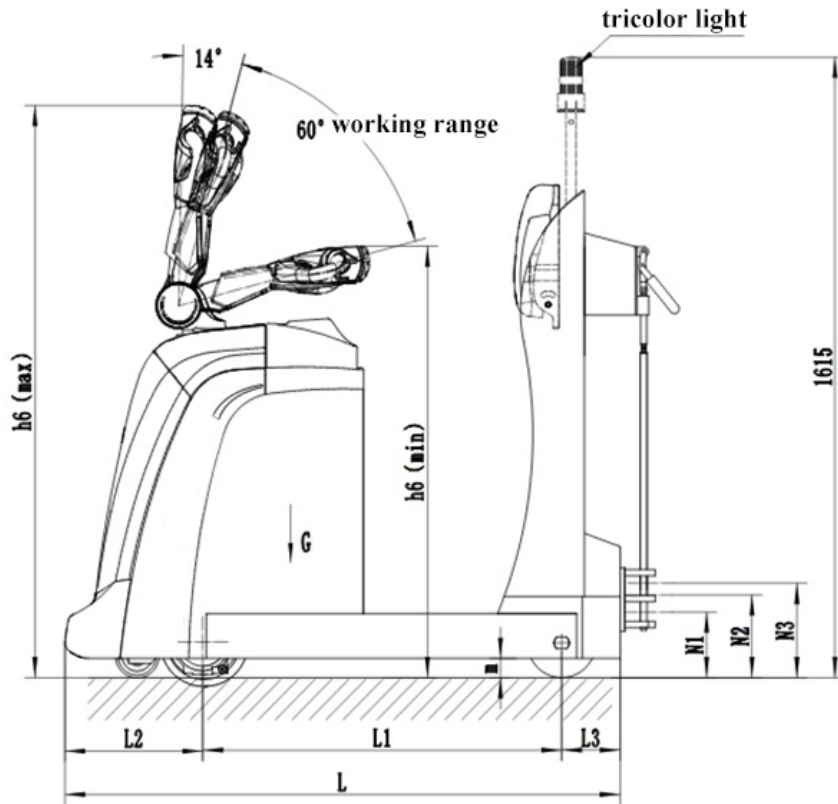
tow tractor agv / SPECIFICATIONS

Identification	1	Model		OKQYD20-T	OKQYD30-T
	2	Operating		Stand-on	Stand-on
	3	Rated traction weight	Kg	2000	3000
	4	Rated traction	F (N)	400	600
	5	Max. rated traction	F (N)	1400	1600
	6	Thread, rear	C (mm)	700	700
	7	Axle loading, front/rear	Kg	390/325	390/325
	8	Wheelbase	L1 (mm)	950	950
Dimension	9	Overall length	L (mm)	1470	1470
	10	Overall width	D (mm)	810	810
	11	Overall height	H (mm)	1260	1260
	12	Min. turning radius	W a (mm)	1350	1350
	13	Min. ground clearance	E (mm)	50	50
	14	Draw bar height	N1 (mm)	175	175
	15	Draw bar height	N2 (mm)	220	220
	16	Draw bar height	N3 (mm)	250	250
Performance	17	Drive speed, laden/unladen	Km/h	5/5	5/5
	18	Gradeability, laden/unladen	%	5/8	5/8
	19	Service brake		Electromagnetic	Electromagnetic
Wheel	20	Drive wheel (Polyurethane)		230 * 75	230 * 75
	21	Rear Wheel (Polyurethane)		180 * 50	180 * 50
	22	Balance wheel (Polyurethane)		115 * 55	115 * 55
Motor	23	Drive motor power	Kw	1.5	1.8
	24	Battery voltage/ capacity	V/Ah	24/240	24/270
Weight	25	Battery weight	Kg	240	240
	26	Service weight (Battery included)	Kg	828	1031

tow tractor agv / PARAMETERS

Control Mode	Sweden controller	Working time	24 hours
Control Mode	Forward, backward, left, right, forkway picking, rotate	Gradeability	$\leq 3^\circ$
Communication mode	Wireless communication (optional)	Stop accuracy	$\pm 5\text{mm}$
Drive mode	Steering wheel	Charging mode	Offline charging
Drive voltage	DC24V	Safety sensor range	$\pm 3\text{m}$, adjustable, emergency stop distance <300mm
Load capacity	3500kg	Alarm mode	Sound and light alarm
Moving speed	0-60m/min (adjustable)	Battery	Consecutive battery discharge times > 500
Turning radius	1200mm	Safety protection	Obstacle sensor + mechanical anti-collision + emergency stop button triple protection
Navigation accuracy	$\pm 5\text{mm}$	Lifespan	<10 years

tow tractor agv / LAYOUT



GET IN TOUCH!

AMS, Inc.

Advanced Mechatronics Solutions, Inc.

+1 (619) 661-5985

ams@ams-fa.com

10030 Via de la Amistad, San Diego,
CA 92154

AMS de Mexico

AMS Factory Automation de Mexico SA de CV

+52 442-312-0920

mexico@ams-fa.com

Polígono Buenavista – Calle Cementera Lote 9,
Mz 8 Ejido Buenavista – Querétaro, Qro. 76225

AMS do Brasil

AMS Do Brasil Automação Industrial LTD

+55 19-3849-5555

contato@ams-fa.com

Rua Antonio Raposo Tavares, 363. Macuco
Valinhos/SP. 13279-390. Brazil

AMS Dynamics, Inc.

+1 (770) 864-5394

infoATL@ams-fa.com

6690 Jones Mill Ct Ste C, Peachtree
Corners, GA 30092

ams-fa.com